

BATCH GRAIN DRYERS

Type SRi auto



USE - Drying of:

Maize - Feed grain or seed grain (wheat, barley, oats, rice ...)

Oil grain (rape, sunflower, soya, pea ...)

DESCRIPTION

The standard version includes:

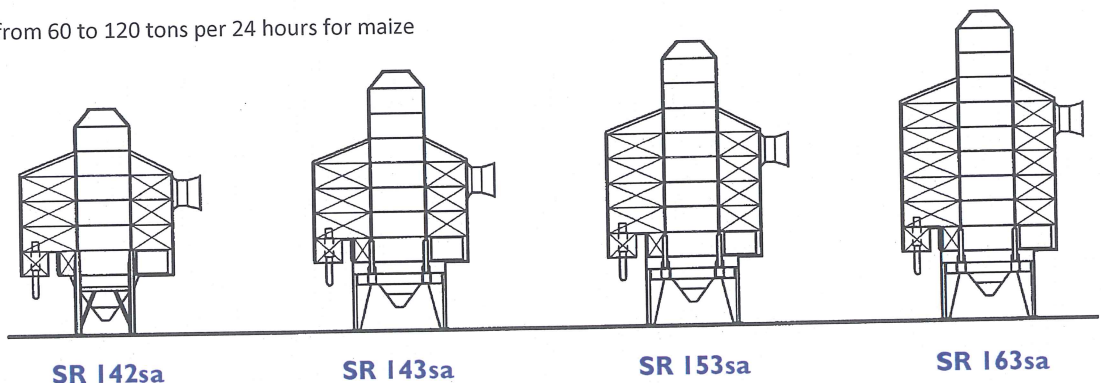
- * 1 fan to suck out the exhaust air horizontal output
- * 1 roof
- * 2 or 3 reserve section(s) (depending of the model)
- * 1 drying column: with 4 to 6 drying sections (depending of the model)
- * 1 exhaust air plenum
- * 1 hot air plenum with glass wool insulated panels
- * 1 adjustable power hot air generator: with two stage FOD burner or modulating air dust burner
- * 1 pneumatic grain discharge system to be supplied by a compressor (option)
- * 1 standard control panel including:
 - 1 automatic control system for the fan, the burner, the pneumatic discharge allowing the automatic proportional regulation of functioning of the dryer according to the variation of moisture content of the grain. Hot air and grain temperature control and securities.
 - 1 handling control
 - As an option, *decreasing of dust rejection* by anti-dust air flaps and air filtering



Model above mentioned on frame and collecting hopper (option)

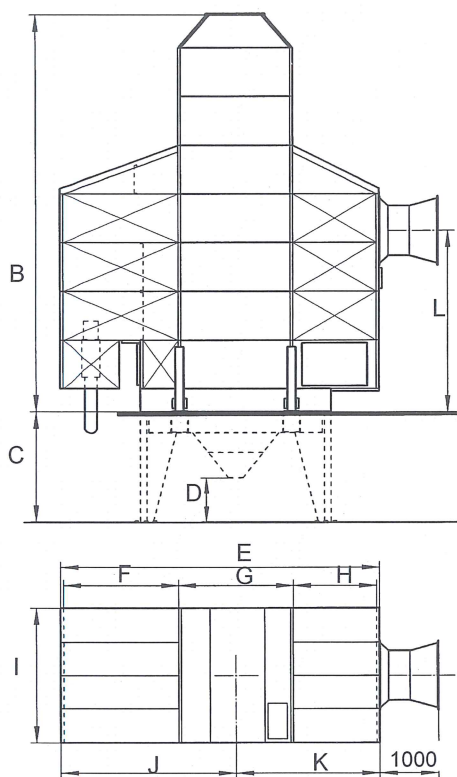
SRi auto RANGE

Throughout from 60 to 120 tons per 24 hours for maize





DIMENSIONS



		SRI 142sa	SRI 143sa	SRI 153sa	SRI 163sa
Height dryer with roof	B	6324	7208	8092	8976
Height frame	C	1700	2000	2000	2000
Height dry grain exit	D	500	800	800	800
Total width (without fan)	E	5498	5498	5498	5498
Length hot air plenum	F	1974	1974	1974	1974
Length drying column	G	1984	1984	1984	1984
Length exhaust air plenum	H	1440	1440	1440	1440
Width dryer	I	2454	2454	2454	2454
Position of pit axis	J	3016	3016	3016	3016
Position of pit axis	K	2482	2482	2482	2482
Height of axis fan	L	3286	3286	4170	5054

TECHNICAL SPECIFICATIONS		SRI 142sa	SRI 143sa	SRI 153sa	SRI 163sa
TOTAL CAPACITY OF DRYER (in humid ton - SW 0.75)		16.1	19	21.2	23.3
CAPACITY ONE ADDITIONAL « NORMAL » DRYING SECTION (ton)		2.9	2.9	2.9	2.9
BURNER	Air veine GAS Power (kW)	AP 1500 Th 2.2	AP 1500 Th 2.2	AP 1500 Th 2.2	AP 1500 Th 2.2
	FOD Power (kW)	L5 1.5	L5 1.5	L7 2.6	L7 2.6
FAN	Power (kW)	9	9	11	15
	Air flow kg/h	27400	27400	34300	41100
* INSTALLED ELECTRICAL POWER (kW)	GAS Power (kW)	12.7	12.7	14.7	17.7
	FOD Power (kW)	12	12	15.1	19.1
TIMES FOR DRYING	MAIZE 35 % to 15 %	4h	4h 40	4h 40	3h 50
	WHEAT 20 % to 15 %	1h 15	1h 30	1h 20	1h 15

* Included air compressor 1.5 kW (option)

As we are constantly engaged in an effort to improve the quality and efficiency of our products, dimensions and specifications could change without notice



C.F.C.A.I. SAS Route de Montgérain - BP 4 - 60420 TRICOT (France)

Tél. : + 33 (0)3 44 51 53 50 - Fax : + 33 (0)3 44 51 00 84

E-mail : cfcai@groupecfc.fr - export@groupecfc.fr

RCS BEAUVAIS B 329 152 375

Propriétaire des marques : **LAW** **MAROT** **OMNIUM** **saito** **DAQUIET**

